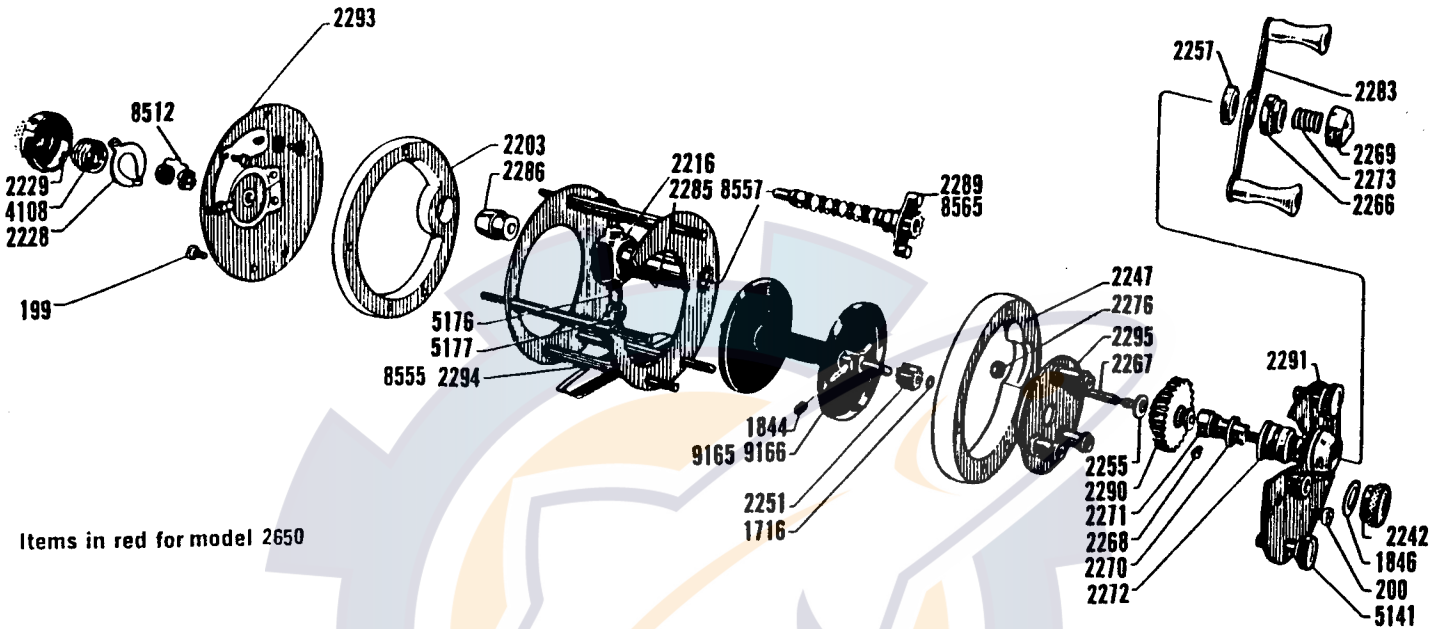


garcia

AMBASSADEUR 2600-2650



Items in red for model 2650

Please specify both reel model and part numbers when ordering.

Prices subject to change without notice

No.	Part Name	Price	No.	Part Name	Price	No.	Part Name	Price
199	Pillar Screw	(each) .10	2266	Handle Nut	.50	2294	Frame Assembly (2600)	9.00
200	Bridge Screw	(each) .10	2267	Gear Shaft	1.25	2295	Gear Bridge	3.10
1716	Pinion "C" Lock	.10	2268	Clutch Lock Pin	.60	4108	Spool Cap Spring	.10
1844A	Brake Block, Small	(each) .10	2269	Free Spool Button	.75	5141	Side Plate Thumb Nut	(each) .25
1844B	Brake Block, Medium	(each) .10	2270	Lock Pin Retainer	.10	5176	Line Carriage Pawl	.60
1844C	Brake Block, Large	(each) .10	2271	Free Spool Clutch	3.10	5177	Line Carriage Nut	.20
1846	Right Spool Cap Spacer	.10	2272	Handle Bearing	1.05	8512	Spool Bearing	.25
2203	Tail Ring	.60	2273	Free Spool Spring	.10	8555	Frame Assembly (2650)	7.95
2216	Line Carriage	1.60	2276	Gear Shaft Lock Nut	.10	8557	Carriage Screw Guard (2650)	1.60
2228	Spool Cap Lock	.10	2283	Handle	2.50	8565	Line Carriage Screw (2650)	2.50
2229	Left Spool Cap	1.60	2285	Carriage Screw Guard (2600)	1.60	9165	(2237) Spool, comp. (with cont.) (2600)	8.75
2242	Right Spool Cap	.75	2286	Carriage Screw Bearing	.20	9166	(8552) Spool, complete (with container) (2650)	8.75
2247	Head Ring	.60	2289	Line Carriage Screw (2600)	2.50	9210	Spool Container	.60
2251	Pinion Gear	.90	2290	Drive Gear	2.60			
2255	Gear Shaft Bearing	.50	2291	Right Side Plate	2.75			
2257	Dust Shield	.10	2293	Left Side Plate Assembly	4.25			

PARTS AND SERVICE AVAILABLE AT THE FOLLOWING REGIONAL FACTORY REPAIR DEPOTS:

**FACTORY SERVICE
RODS, REELS AND PARTS**

**THE GARCIA SERVICE DEPARTMENT
329 ALFRED AVENUE
TEANECK, NEW JERSEY 07666**

**THE CONOLON CORPORATION
1111 EAST McFADDEN STREET
SANTA ANA, CALIFORNIA 92705**

**SILICOTE SALES DIVISION
520 WEST 14th AVENUE
OSHKOSH, WISCONSIN 54902**

**J. K. CLARK COMPANY
ACO SPORTSMEN SERVICE
13501 VAN DYKE
DETROIT, MICHIGAN 48234**

REEL SERVICE AND PARTS

**NATE BUELL SERVICE CORPORATION
5013 N.E. 42nd STREET
PORTLAND, OREGON 97218**

**HARRY C. MILLER CO., INC.
257 PARK AVENUE SOUTH
NEW YORK, NEW YORK 10010**

**SHERMAN LOYD SALES COMPANY
4737 GREENVILLE AVENUE
DALLAS, TEXAS 75206**